

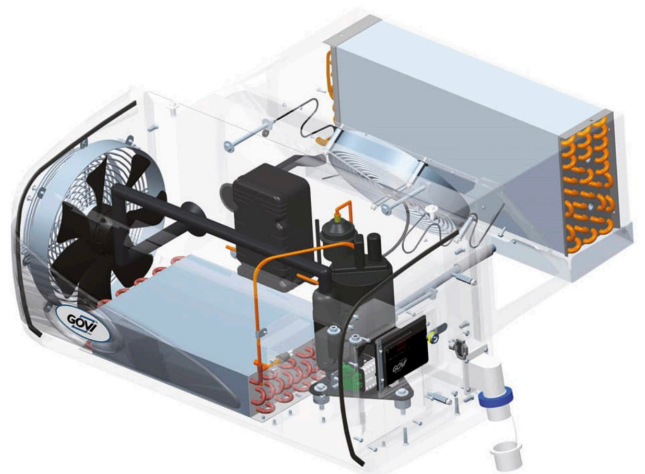
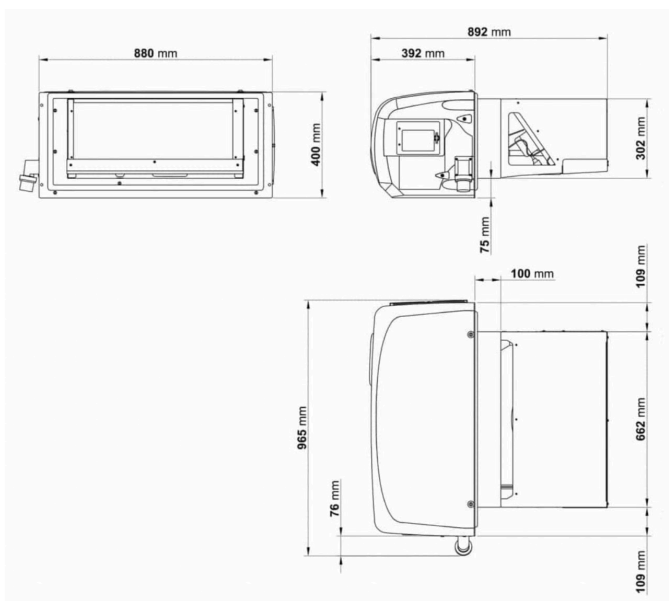
Technical overview ARKTIK 2000P



Temperature range	-20 °C to 10 °C
Max. external temperature	40 °C
Max. volume	10 m ³
Voltage	230 V
Frequency	50 Hz
Cooling capacity	1500/2050 W
Compressor energy consumption	1000/1200 W
Current consumption LRA	LRA 32 A
Current consumption FLA	FLA 6.5/7.0 A
Defrost	1230
Evaporator air flow	1100 m ³ /h
Condenser air flow	1100 m ³ /h
Degree of protection	54 IP
Refrigerant	R-452A
Refrigerant quantity	1170 g
Weight	63 Kg
Color	9010 RAL

Refrigeration capacity

A2000P	Room temperature			
	-20°C	+2°C	+5°C	+10°C
Ambient temperature				
+20°C	1650W	3250W	3380W	3740W
+32°C	1516W	3170W	3290W	3650W
+40°C	1380W	3020W	3130W	3510W



GOVI GmbH

Max-Planck-Str.5 - 53842 Troisdorf (Germany) - Phone: +49(0)2241-92 29 460 - E-mail: info@govi-gmbh.de

www.govi-gmbh.de